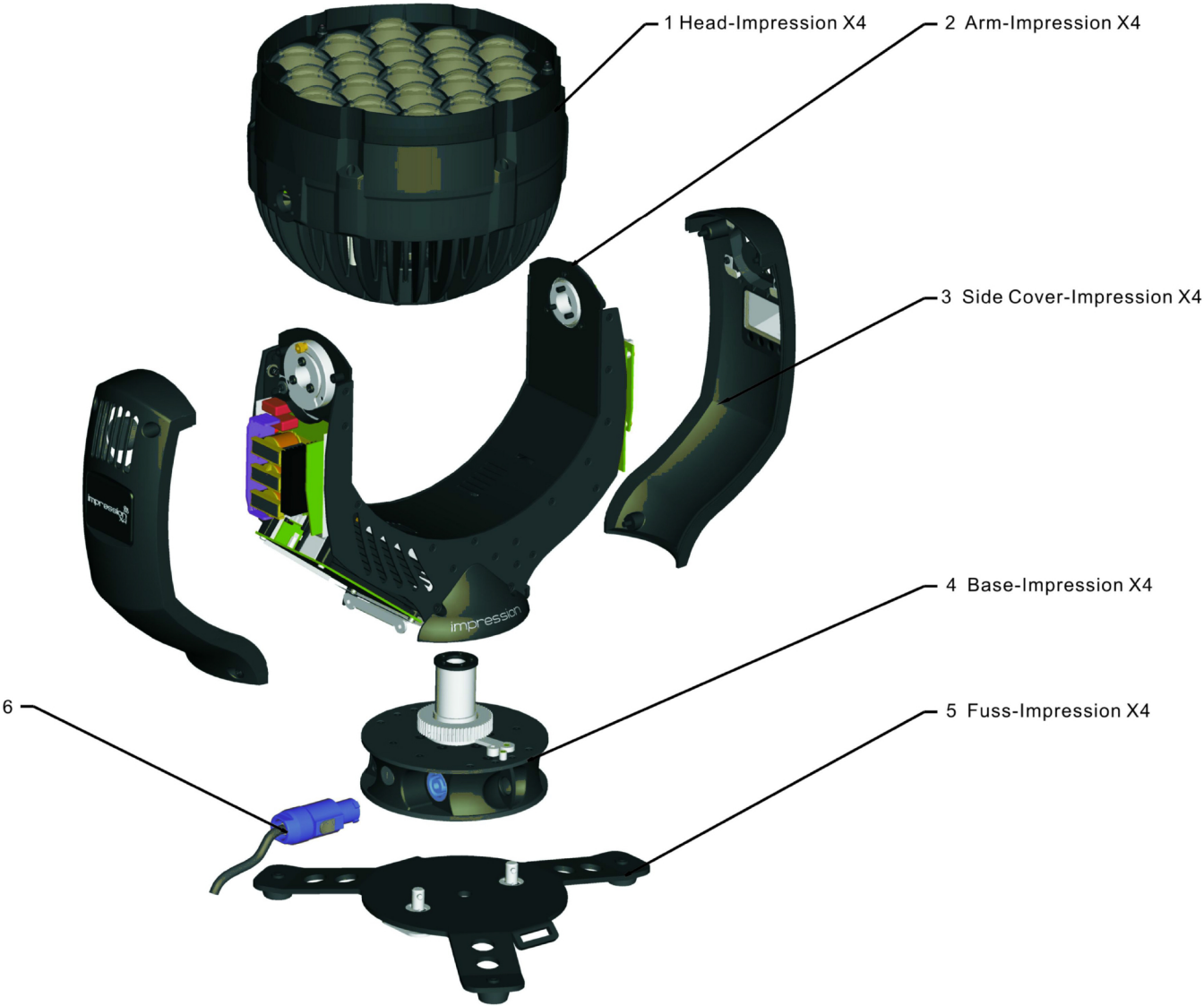


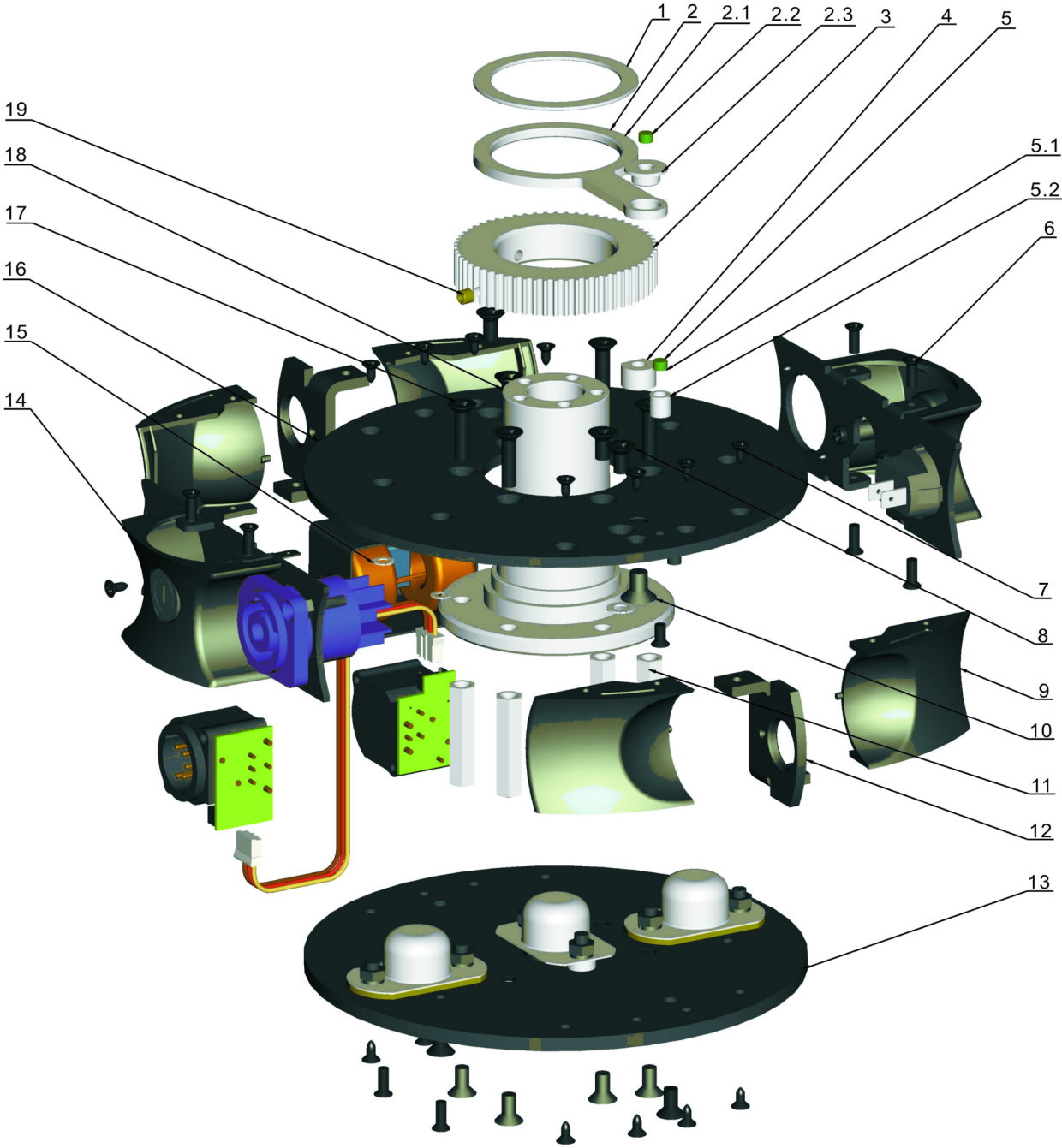
0. Overview

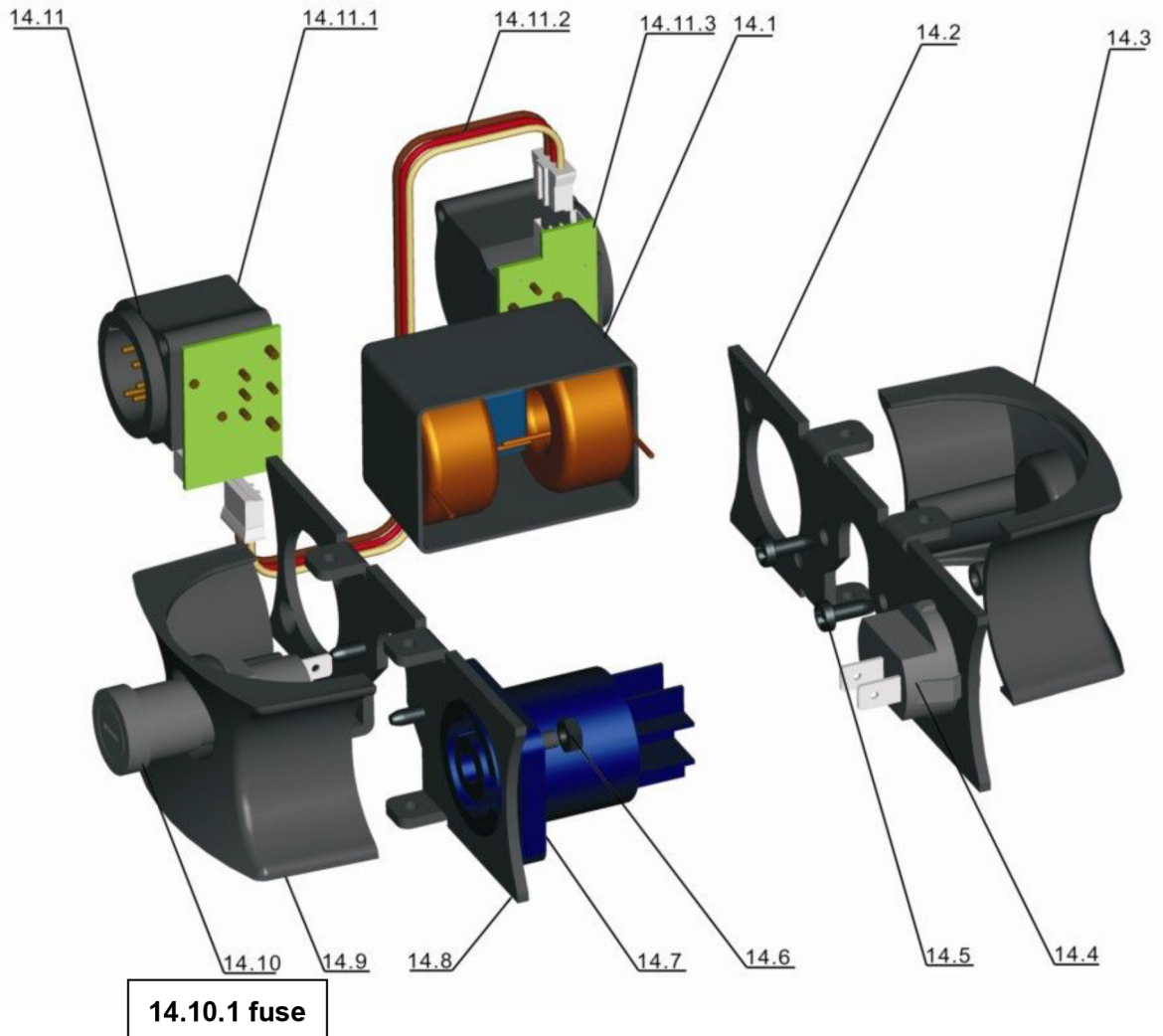
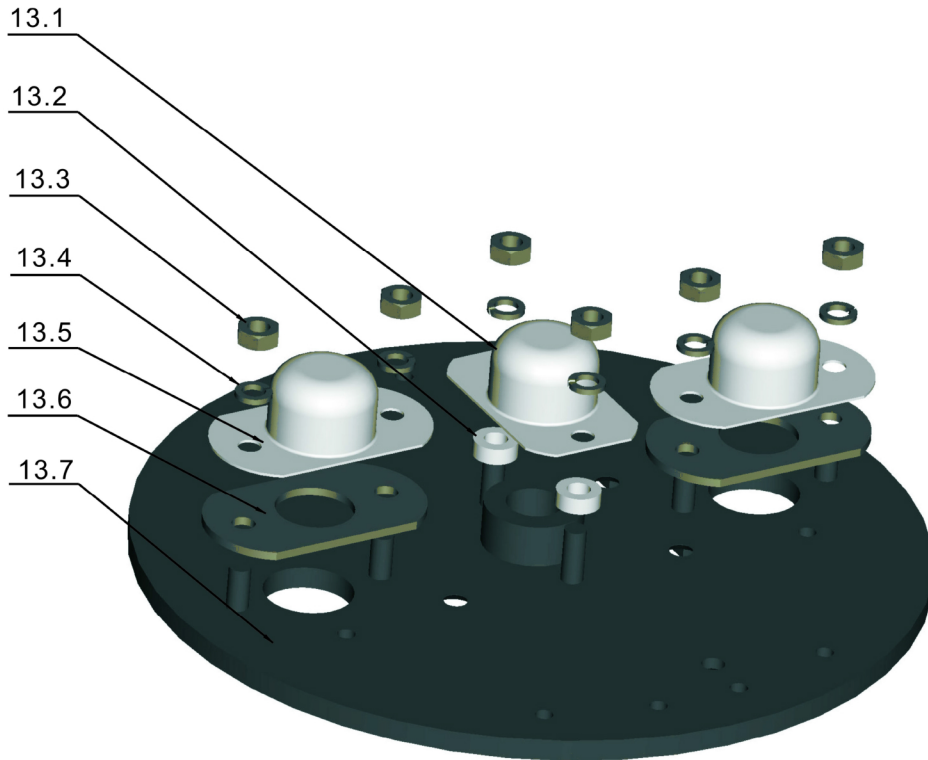


0. Overview

Pos.	Code	Name	Quantity
1	210100197	Head-Impression X4	1
2	210100198	Arm-Impression X4	1
3	210100199	Side Cover-Impression X4	1
4	210100200	Base -Impression X4	1
5	210100201	Fuss-Impression X4	1
5.1	311500008	CAMLOC-SICHERUNG	2
5.2	310100087	FUSS	1
5.3	320200002	GUMMIFUSS	3
5.4	310300004	SCREW PAN HEAD/CROSS DRIVES BLACK M5X10	3
5.5	310100382	SPACER-TRIPOD	2
5.6	311500009	CAMLOC-MALE	2
6	540100234	Powercon Mainscable-VDE	1

1.Base



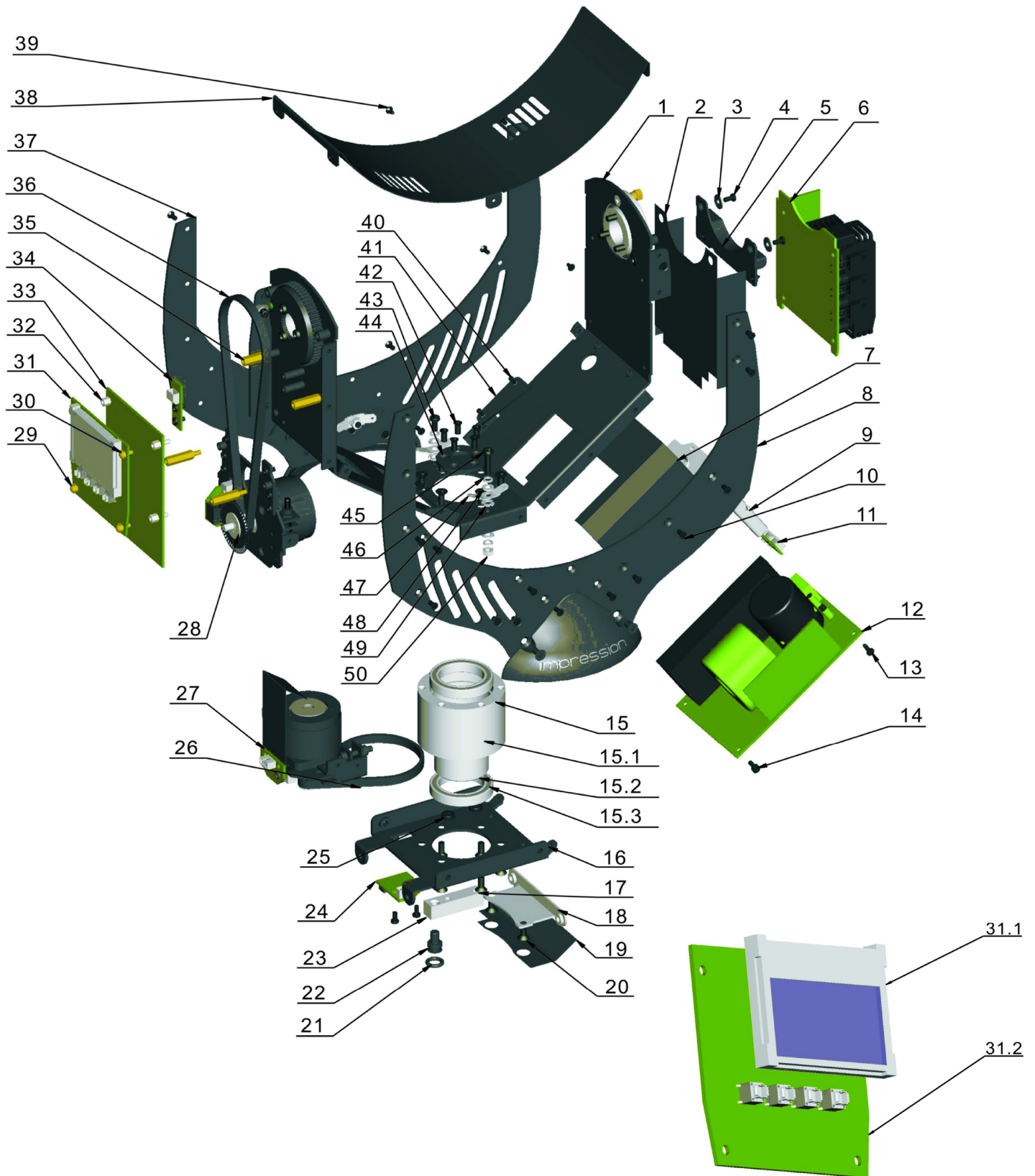


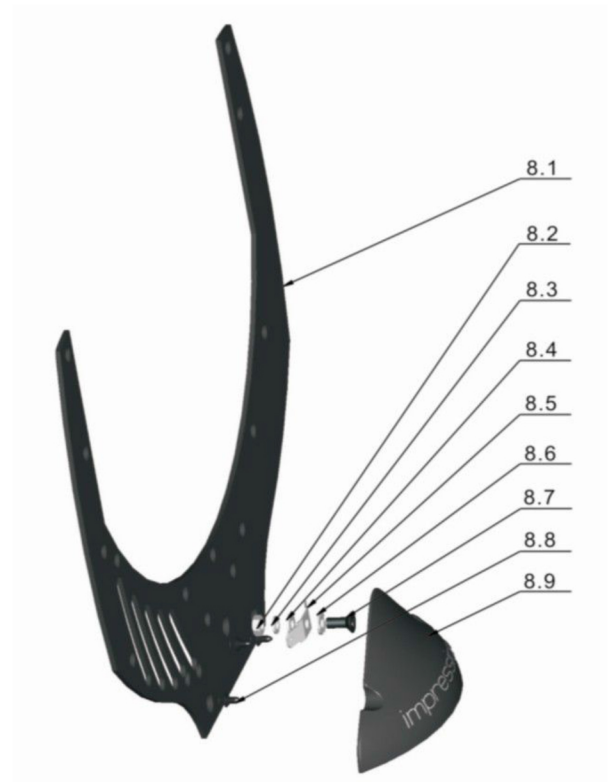
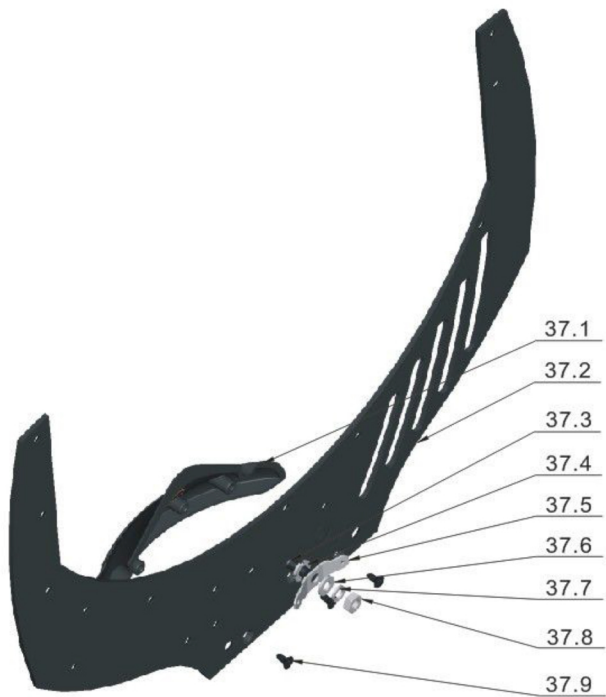
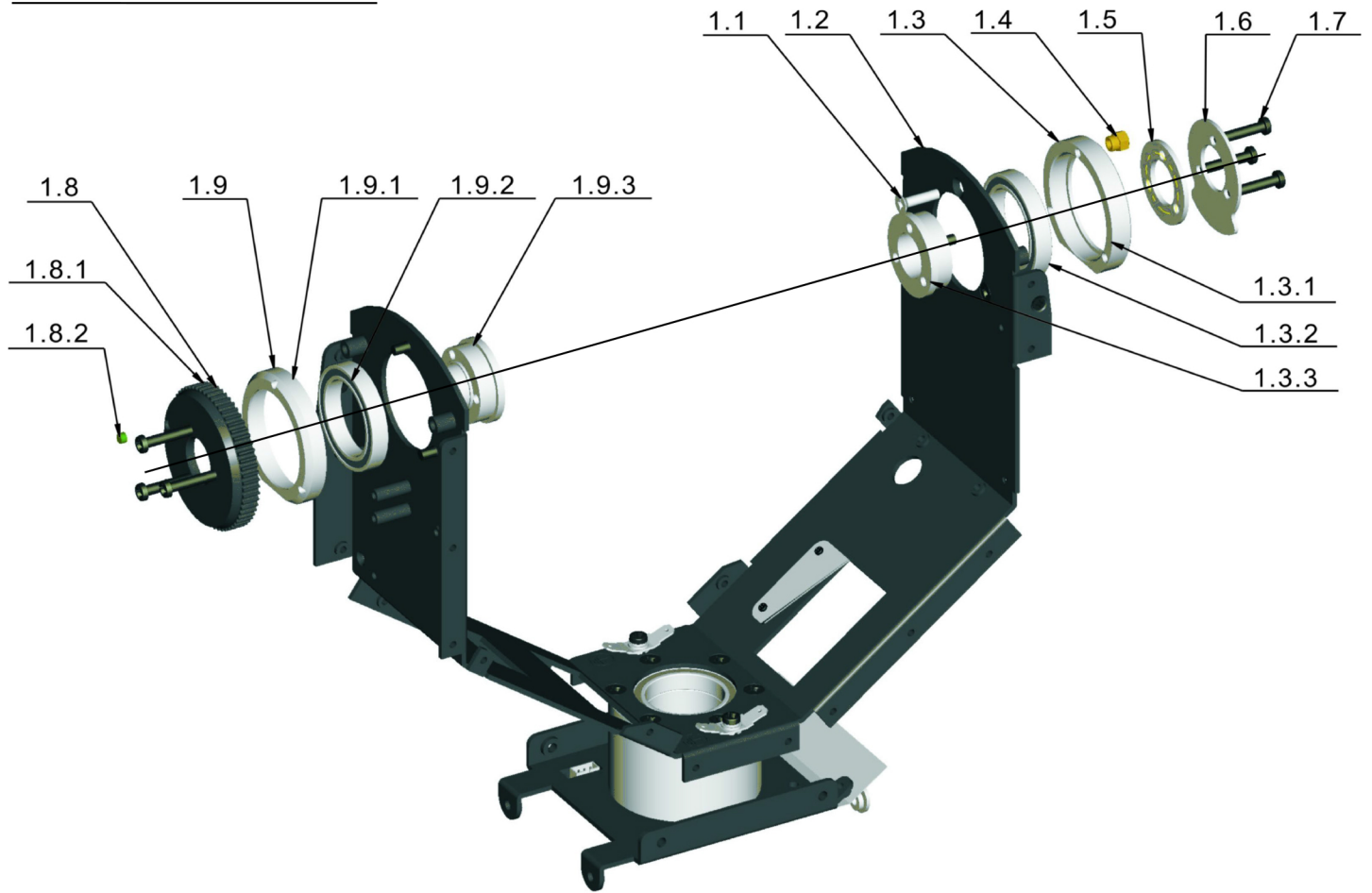
1.Base

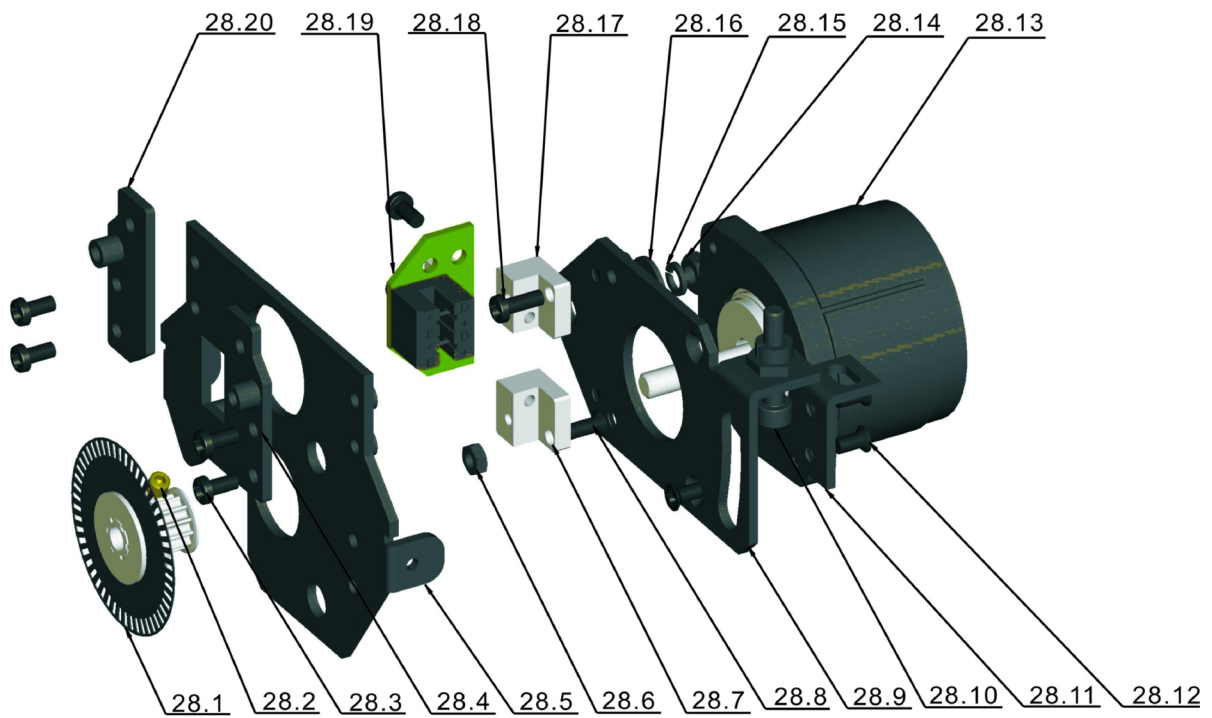
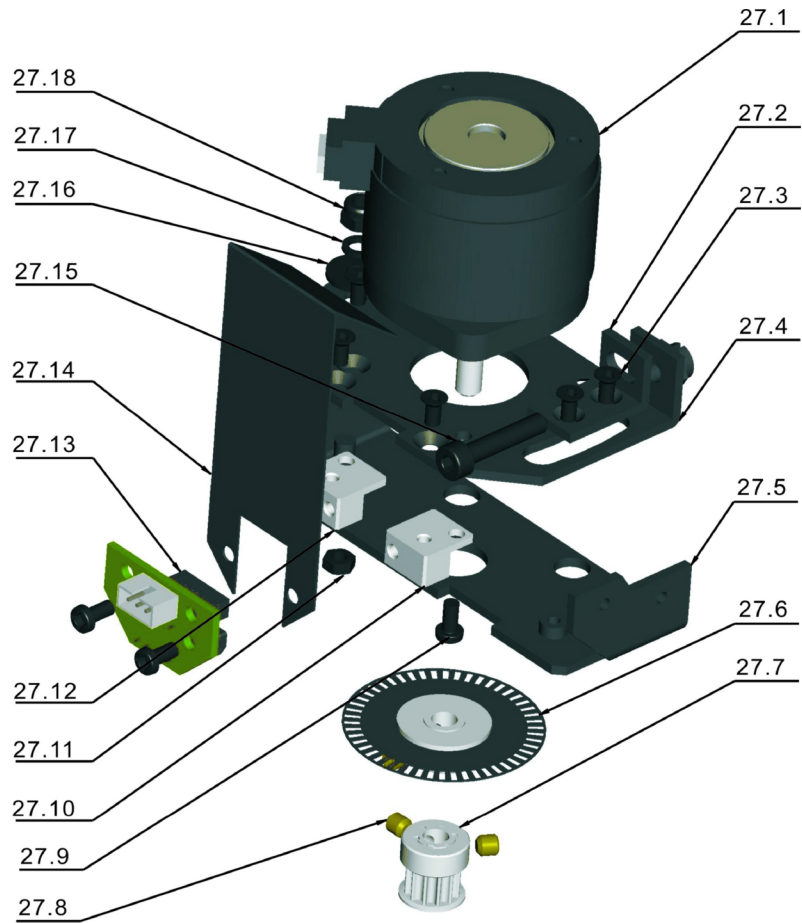
POS	CODE	NAME	QUANTITY
1	320500023	GLEITRING	1
2	210100202	LOLLI-ALL	1
2.1	310100122	LOLLI	1
2.2	310200083	1-34	1
2.3	320500013	2-13	1
3	310200023	GEARWHEEL-PAN	1
4	310200100	PANSTOPPER	1
5	210100203	2-32-X4	1
5.1	310200083	1-34	1
5.2	310200157	2-32	1
6	310300023	SCREW FLAT HEAD/CROSS DRIVES M3X8	8
7	310300007	SELF TAPPING SCREW FLAT HEAD/CROSS DRIVES 3X7	20
8	310300066	SCREW FLAT HEAD/CROSS DRIVES M4X8	10
9	320100042	BASE-PLASTIC2	4
10	310300041	SCREW FLAT HEAD/CROSS DRIVES M5X8	1
11	310200101	SPACER-M4	4
12	310100117	SAFETYOESE	2
13	210100204	BASE-BODENDECKEL	1
13.1	310100118	2-38-CUT	1
13.2	310200102	SPACER-BASE-CAMLOC	2
13.3	310500005	HEXAGONAL NUT M4	6
13.4	310700002	SPRING WASHER Φ 4	6
13.5	310100121	2-38	2
13.6	310100160	2-28	2
13.7	310100372	BASE-BODENBLECH-V2	1
14	210100206	BASE-POWER SUPPLY	1
14.1	210100024	POTTINGBOX-ASM	1
14.2	310100113	BASE-FRAME-L	1
14.3	320100044	BASE-PLASTIC1-WITHOUTHOLE	1
14.4	530100001	MARQUARDT-SCHALTER	1
14.5	310300059	SELF TAPPING SCREW PAN HEAD/CROSS DRIVES 3X8	4
14.6	310500001	HEXAGONAL NUT M3	2
14.7	520100001	NAC3MPA-1	1
14.8	310100114	BASE-FRAME-R	1
14.9	320100043	BASE-PLASTIC1-WITH-HOLE	1
14.10	510200001	FUSEHOLDER	1
14.10.1	510100003	FUSE	1
14.11	210100205	BASE-DMX-PCB-ALL	1
14.11.1	210100221	DMX-MALE-X4	1
.11.1.1	540200005	NC5MAH	1
.11.1.2	550100002	A2001WV2-3P	1

.11.1.3	460100024	IMP-X4-5M	1
14.11.2	540100077	DMX OUT 3PIN TO ARTNET PCB+130	1
14.11.3	210100222	DMX-FEMALE-X4	1
.11.3.1	520500006	NC5FAH	1
.11.3.2	550100002	A2001WV2-3P	2
.11.3.3	460100025	IMP-X4-5F	1
15	310800002	TOOTHED LOCK WASHER Φ 3	4
16	310100112	BASE-ACHSBLECH	1
17	310300033	SCREW FLAT HEAD/CROSS DRIVES M4X16	4
18	310200024	PAN-ACHSE	1
19	310300135	WORM SCREW M4X5	2

1. Arm







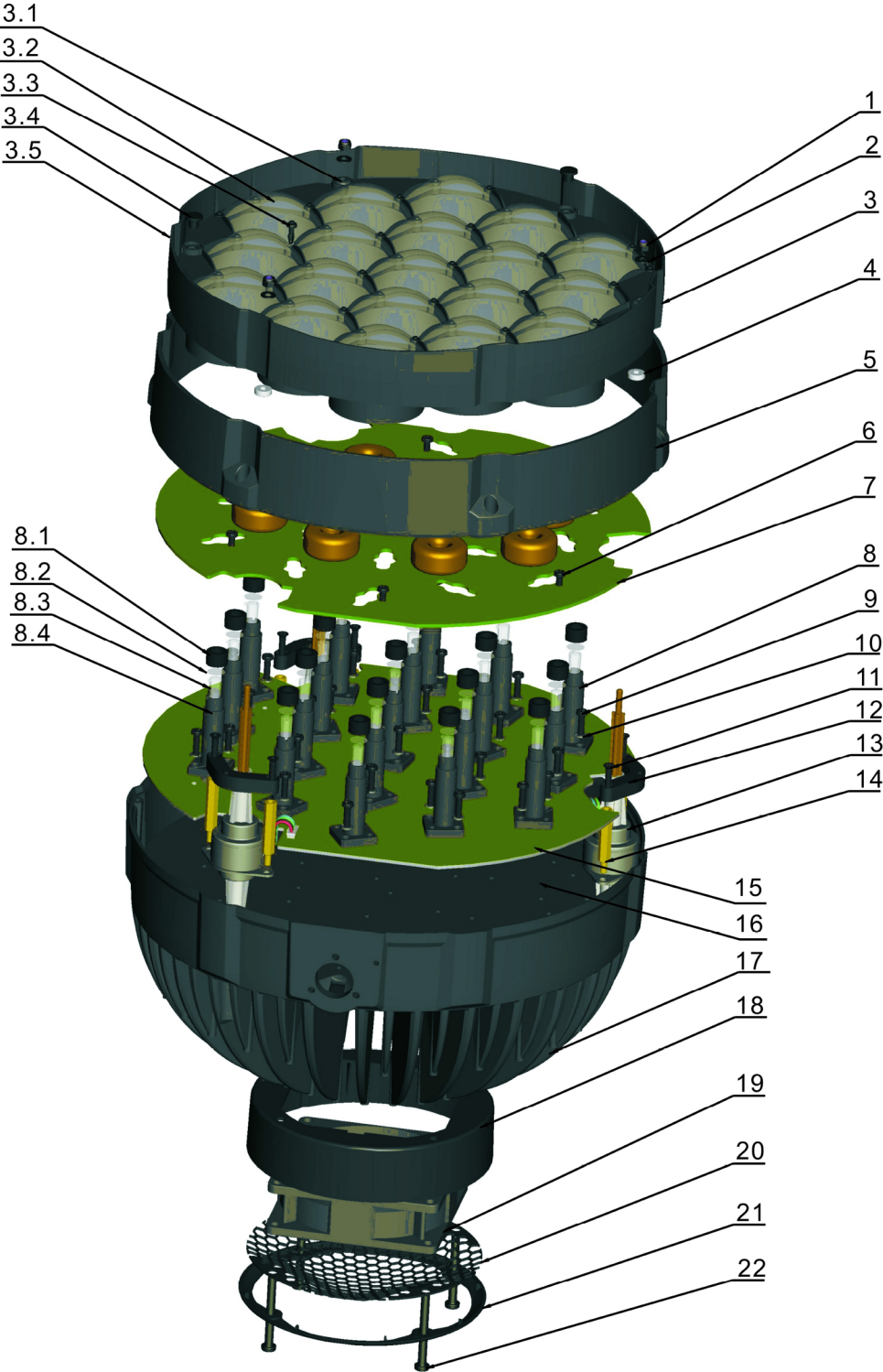
2. Arm

Pos.	Code.	Name	Quantity
1	210100207	ARM-MAINFRAME-X4	1
1.1	310300033	SCREW FLAT HEAD/CROSS DRIVES M4X16	1
1.2	310100365	ARM-MAINFRAME-V2	1
1.3	210100208	TILT-BEARINGBLOCK-ALL	1
1.3.1	310200041	TILT-BEARINGBLOCK	1
1.3.2	311100005	BEARING-6806Z	1
1.3.3	310200043	SHAFT-TILT	1
1.4	310200013	TILT-STOPPER-NUT	1
1.5	310100040	TILT-BEARINGSPACER	1
1.6	310100373	TILT-STOPPER-BLADE2	1
1.7	310300055	SCREW PAN HEAD/CROSS DRIVES BLACK M4X20	6
1.8	210100209	GEARWHEEL_HDT-3MX60-V2-ALL	1
1.8.1	310200191	GEARWHEEL_HDT-3MX60-V2	1
1.8.2	310200083	1-34	1
1.9	210100210	TILT-BEARINGBLOCK-V2-ALL	1
1.9.1	310200189	TILT-BEARINGBLOCK-V2	1
1.9.2	311100005	BEARING-6806Z	1
1.9.3	310200042	SHAFT-TILT-NEW	1
2	320900003	PSU-ISOLATION	1
3	310600009	PLAIN WASHER Φ 3-9	2
4	310300001	SCREW PAN HEAD/CROSS DRIVES BLACK M3X6	10
5	320100031	PCB-HOLDER-NEW-2	1
6	460200049	HB-PCB	1
7	320900005	PSU1_ISOLATION	1
8	210100211	SIDE-COVER2-ALL	1
8.1	310100106	SIDE-COVER2	1
8.2	310500005	HEXAGONAL NUT M4	1
8.3	310700002	SPRING WASHER Φ 4	1
8.4	310600002	PLAIN WASHER Φ 4-8	1
8.5	310100036	EARTHCONNECTOR	1
8.6	310800001	TOOTHED LOCK WASHER Φ 4	1
8.7	310300020	SCREW FLAT HEAD/CROSS DRIVES M4X10	1
8.8	310300007	SELF TAPPING SCREW FLAT HEAD/CROSS DRIVES 3X7	3
8.9	320100035	ARM_GRUNDTEIL_IMPRESSION	1
9	210100254	PCB-HOLDER-NEW-ALL	1
9.1	320100038	PCB-HOLDER-NEW-1	1
11	460100013	JUNCTION-PCB	1
9.2	550100006	A2001WD2-2P	2
10	310300013	SCREW FLAT HEAD/CROSS DRIVES M3X6	30
12	460200048	PSU-PCB	1
13	310300059	SELF TAPPING SCREW PAN HEAD/CROSS DRIVES 3X8	2
14	310300019	SCREW HEXAGONAL SOCKET HEAD CAP BLACK M3X6	2
15	210100212	PAN-BEARINGBLOCK-ALL	1

15.1	310200044	PAN-BEARINGBLOCK	1
15.2	310200045	PAN-BEARINGSPACER	1
15.3	311100005	BEARING-6806Z	2
16	310100109	ARM-VERSTAERKUNGSBLECH	1
17	310300020	SCREW FLAT HEAD/CROSS DRIVES M4X10	16
18	310100110	COVERHOLDER	1
19	320900004	ISOLATOR-PSU1-2	1
20	310300066	SCREW FLAT HEAD/CROSS DRIVES M4X8	9
21	320500009	O-RING	1
22	310300082	INBUS-M6X08	1
23	310200012	PAN-ANSCHLAGSPACER	1
24	460200063	PAN-HALL-PCB-S1-ALL	1
25	310300062	SCREW PAN HEAD/CROSS DRIVES SILVER M5X10	2
26	340100007	BELT-HTD-3M-225	1
27	210100213	PAN-ANTRIEB	1
27.1	560500022	17HC2001-01N	1
27.2	310100105	MOTORSCREWHOLDER-PAN	1
27.3	310300013	SCREW FLAT HEAD/CROSS DRIVES M3X6	6
27.4	310100368	MOTORHOLDER-PAN-V2	1
27.5	310100107	MOTORHOLDERADJUST-PAN	1
27.6	310200035	ENCODER-PAN	1
27.7	310200033	RITZEL-PAN	1
27.8	310300134	WORM SCREW M4X5	4
27.9	310300001	SCREW PAN HEAD/CROSS DRIVES BLACK M3X6	3
27.10	310200097	ENCODERWINKEL	1
27.11	310500001	HEXAGONAL NUT M3	1
27.12	310200107	ENCODERWINKEL2	1
27.13	460200065	FEED-PCB-ALL	1
27.14	310100111	KONZOLA	1
27.15	310300130	CHC_M4X20	1
27.16	310600002	PLAIN WASHER Φ 4-8	1
27.17	310700002	SPRING WASHER Φ 4	1
27.18	310500003	STOP NUT M4	1
28	210100214	TILT-ANTRIEB	1
28.1	310200034	RITZEL-TILT	1
28.2	310300134	WORM SCREW M4X5	2
28.3	310300001	SCREW PAN HEAD/CROSS DRIVES BLACK M3X6	6
28.4	310100369	MOTORHOLDER-TILT-AD-1	1
28.5	310100367	MOTORHOLDER-TILT-V2	1
28.6	310500001	HEXAGONAL NUT M3	1
28.7	310200036	ENCODERWINKEL2-TILT	1
28.8	310300023	SCREW FLAT HEAD/CROSS DRIVES M3X8	1
28.9	310100366	MOTORHOLDERADJUST-TILT-V2	1
28.10	310300130	CHC_M4X20	1

28.11	310100105	MOTORSCREWHOLDER-PAN	1
28.12	310300013	SCREW FLAT HEAD/CROSS DRIVES M3X6	5
28.13	560500022	17HC2001-01N	1
28.14	310500003	STOP NUT M4	1
28.15	310700002	SPRING WASHER Φ 4	1
28.16	310600002	PLAIN WASHER Φ 4-8	1
28.17	310200037	ENCODERWINKEL-TILT	1
28.18	310300014	SCREW PAN HEAD/CROSS DRIVES BLACK M3X8	1
28.19	460200065	FEED-PCB-ALL	1
28.20	310100370	MOTORHOLDER-TILT-AD-2	1
29	310200143	SPACER_SPECIAL_2	2
30	310200142	SPACER_SPECIAL_1	2
31	460200089	X4-DISPLAY-PCB(ASSEMBLED)	1
31.1	470100002	MGGF06463B03V0	1
31.2	460200047	DISPLAY-PCB	1
32	310200202	SPACER-M3X13-DISPLAY	4
33	460200046	MAIN-PCB	1
34	460200062	TILT-HALL-PCB-S1-ALL	1
35	310200099	SPACER-M3-LANG	4
36	340100012	BELT-HTD-3M-390-6	1
37	210100215	SIDE-COVER-ALL	1
37.1	320100035	ARM_GRUNDTEIL_IMPRESSSION	1
37.2	310100383	SIDE-COVER	1
37.3	310300020	SCREW FLAT HEAD/CROSS DRIVES M4X10	1
37.4	310800001	TOOTHED LOCK WASHER Φ 4	1
37.5	310100036	EARTHCONNECTOR	1
37.6	310600002	PLAIN WASHER Φ 4-8	1
37.7	310700002	SPRING WASHER Φ 4	1
37.8	310500005	HEXAGONAL NUT M4	1
37.9	310300007	SELF TAPPING SCREW FLAT HEAD/CROSS DRIVES 3X7	3
38	310100371	RUNDBLENDE-V2	1
39	310300007	SELF TAPPING SCREW FLAT HEAD/CROSS DRIVES 3X7	8
40	310300049	SCREW PAN HEAD/CROSS DRIVES BLACK M2X5	2
41	310100190	COILCOVER	1
42	310300043	SCREW SMALL FLAT HEAD/CROSS DRIVES BLACK M4X8	5
43	310300005	SCREW PAN HEAD/CROSS DRIVES BLACK M4X8	1
44	310100045	PAN-SICHERUNG	1
45	310300054	SCREW PAN HEAD/CROSS DRIVES BLACK M4X16	1
46	310700002	SPRING WASHER Φ 4	4
47	310100036	EARTHCONNECTOR	2
48	310600002	PLAIN WASHER Φ 4-8	4
49	310800001	TOOTHED LOCK WASHER Φ 4	4
50	310500005	HEXAGONAL NUT M4	2

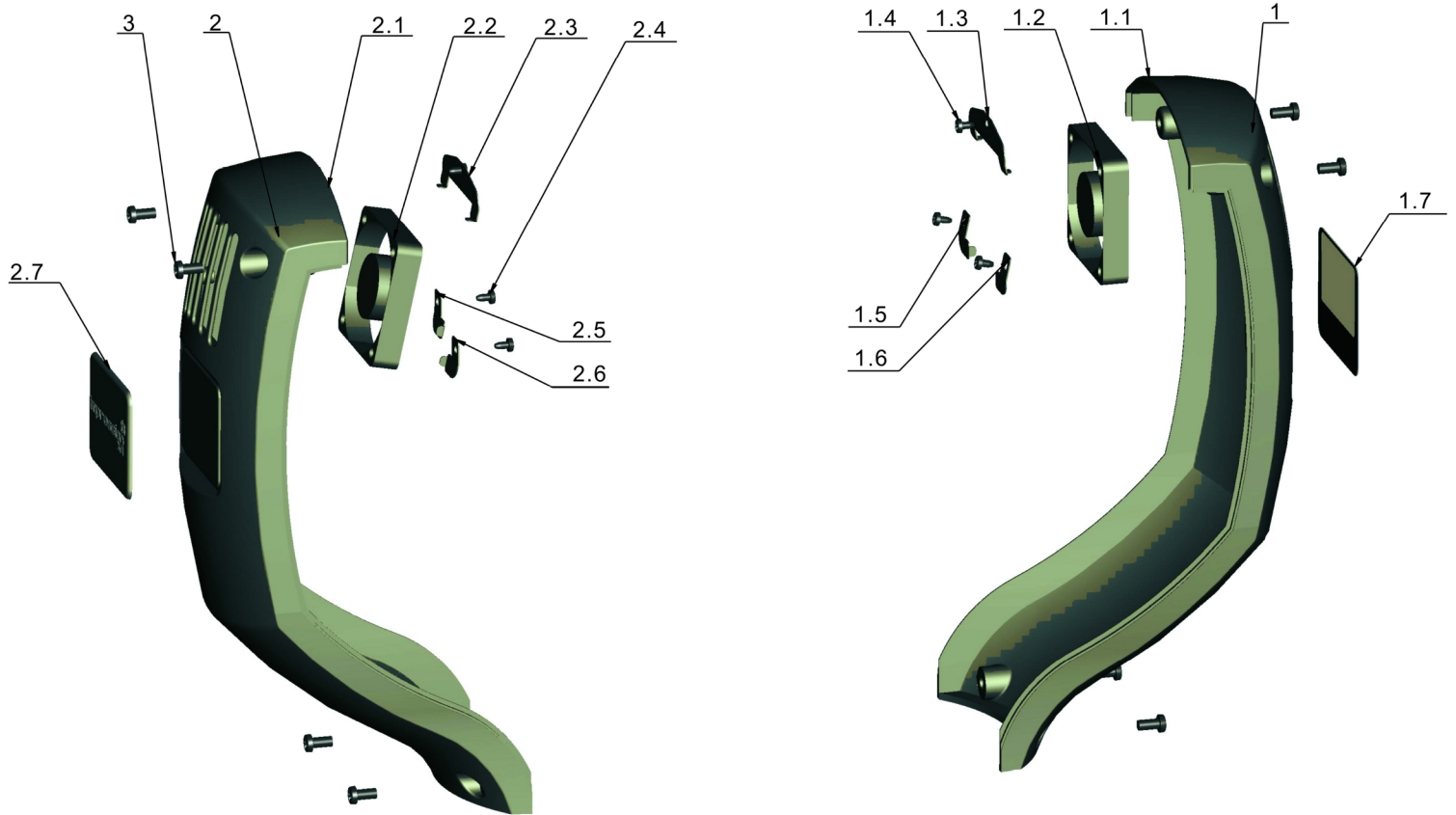
3. Head



3.Head

POS	CODE	NAME	QUANTITY
1	310500002	STOP NUT M3	3
2	310600001	PLAIN WASHER Φ3-6	3
3	210100216	LENSHOLDER-ALL	1
3.1	320200017	HG-2-GROMMET	3
3.2	320500047	ZOOMLENS-AB-4	19
3.3	320500043	TRM-1	48
3.4	320500012	BUB-35G	3
3.5	320100055	LENSHOLDER-AB1	1
3.6	310600002	PLAIN WASHER Φ4-8	3
4	310200186	AKTUATOR-ANSCHLAG-1	3
5	320100054	TEST2	1
6	310300002	SCREW PAN HEAD/CROSS DRIVES BLACK M3X5	7
7	460200050	DRIVER-PCB	1
8	210100217	PRIMARY-OPTICS	19
8.1	320100053	PIPEHOLDER-CAP	19
8.2	320500048	FROSTFILTER	19
8.3	320500049	NEWPIPE	19
8.4	320100052	PIPEHALTER-1	19
9	310300012	SCREW PAN HEAD/CROSS DRIVES BLACK M3X10	38
10	310700001	SPRING WASHER Φ3	38
11	310300021	SCREW FLAT HEAD/CROSS DRIVES M3X12	6
12	310200188	FRONTHOLDER	3
13	560500023	25441-05-025	3
14	310200190	SPACER-M3X25	6
15	460200051	LED-PCB	1
16	320900010	Graphite Pad for Multichip LED	1
17	310200187	DIECAST-HEAD-V2	1
18	210100269	HEAD-FAN-ALL-X4(ASSEMBLED)	1
18.18	320100023	FAN-CASE_TS	1
18.19	560600013	ME80252V1-0000-A99	1
20	310100101	ETL_COVER_V4_PART2	1
21	320100039	ETL_COVER_V3_PART1	1
22	310300057	SCREW PAN HEAD/CROSS DRIVES BLACK M4X35	4

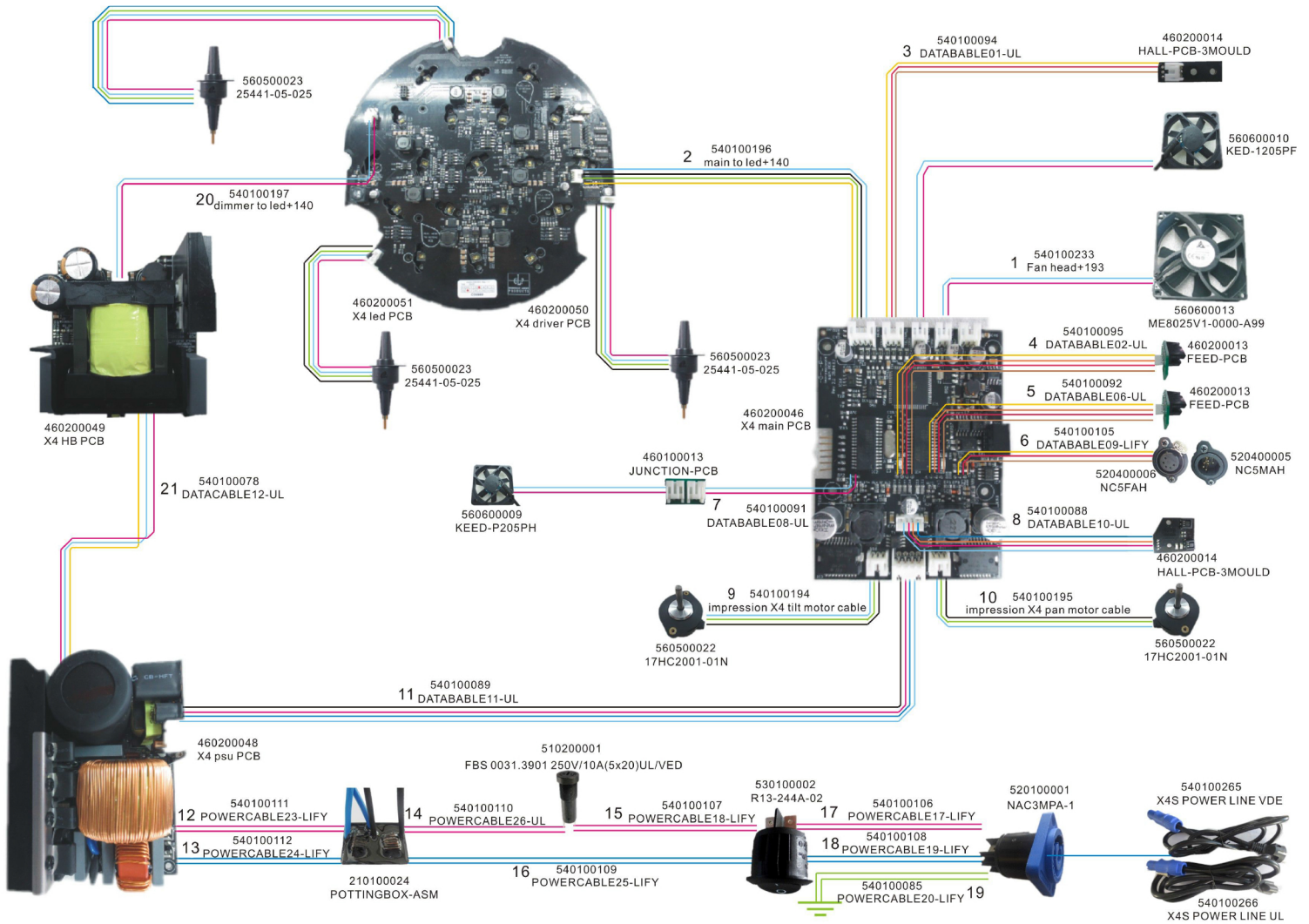
4. SIDE COVER



4.SIDE COVER

POS	Code	Name	Quantity
1	210100218	ARM-LANG+DISPLAY	1
1.1	320100034	ARM-LANG+DISPLAYWINDOW	1
1.2	560600009	SUNON-KDE-1205PF+33mm	1
1.3	310100088	FAN-SPRING-1	1
1.4	310300009	SELF TAPPING SCREW PAN HEAD/CROSS DRIVES 3X5	3
1.5	310100099	FAN-SPRING-3	1
1.6	310100098	FAN-SPRING-2	1
1.7	320500030	DISPLAYFILM	1
2	210100219	ARM-LANG+LABLE	1
2.1	320100033	ARM-LANG+LOGOSTICKER-PLASTIC	1
2.2	560600010	SUNON-KDE-1205PF+152mm	1
2.3	310100088	FAN-SPRING-1	1
2.4	310300009	SELF TAPPING SCREW PAN HEAD/CROSS DRIVES 3X5	3
2.5	310100098	FAN-SPRING-2	1
2.6	310100099	FAN-SPRING-3	1
2.7	310100379	IMP_X4_LOGO	1
3	310300005	SCREW PAN HEAD/CROSS DRIVES BLACK M4X8	8

5. WIRING DIAGRAM



POS	Code	Name	Quantity
1	540100233	Fan head+193	1
2	540100196	main to led+140	1
3	540100094	DATA CABLE01-UL	1
4	540100095	DATA CABLE02-UL	1
5	540100092	DATA CABLE06-UL	1
6	540100105	DATA CABLE09-LIFY	1
7	540100091	DATA CABLE08-UL	1
8	540100088	DATA CABLE10-UL	1
9	540100194	impression X4 tilt motor cable	1
10	540100195	impression X4 pan motor cable	1
11	540100089	DATA CABLE11-UL	1
12	540100111	POWERCABLE23-LIFY	1
13	540100112	POWERCABLE24-LIFY	1
14	540100110	POWERCABLE26-UL	1
15	540100107	POWERCABLE18-LIFY	1
16	540100109	POWERCABLE25-LIFY	1
17	540100106	POWERCABLE17-LIFY	1
18	540100108	POWERCABLE19-LIFY	1
19	540100085	POWERCABLE20-LIFY	1
20	540100197	dimmer to led+140	1
21	540100078	DATA CABLE12-UL	1